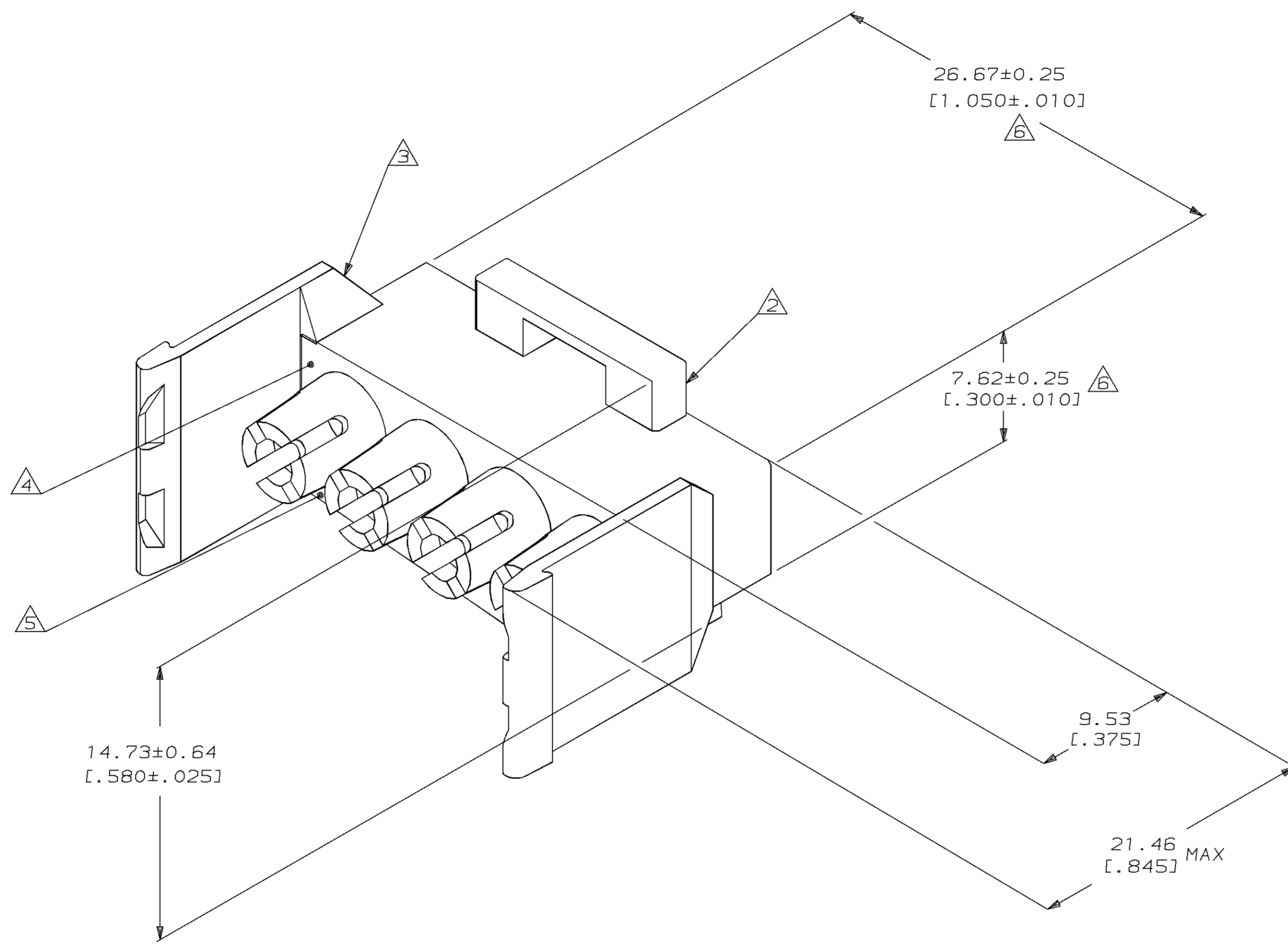


LOC		DIST		P		F		ZONE		LTR		REVISIONS		DATE	APPD	
CM		53											D	REV PER EC 0730-0212-94	11-22-94	JH RS



1. MUST BE ASSEMBLED WITH CAP FRONT P/N 770049-1 BEFORE MATING. KIT P/N IS 770026-1.
- ② AMP LOGO LOCATED THIS SURFACE.
- ③ UL AND CSA LOGOS LOCATED THIS SURFACE.
- ④ CIRCUIT NO. 1 IDENTIFICATION BUTTON LOCATED APPROXIMATELY AS SHOWN FAR SIDE.
- ⑤ LOCATION OF CIRCUIT NUMBERS MOVE BUT WILL REMAIN ADJACENT TO APPROPRIATE CAVITY (LOCATED FAR SIDE).
- ⑥ DIMENSION INDICATED IS AS MOLDED. ADDITIONAL GROWTH DUE TO SUBSEQUENT MOISTURE ABSORPTION MAY OCCUR.

770050-1
PART NUMBER



DO NOT SCALE PRINT. UNLESS SPECIFIED DIMENSIONS IN INCHES TOLERANCES ON:		DR 1-15-92 K. SALMON	AMP INCORPORATED Harrisburg, Pa. 17105	
1 ± .005		CHK 1-15-92 R. SWING		
2 PLC DEC ± 0.13 [.005]		APPD 1-16-92 M. TRULL	NAME CAP REAR, 4 CIRCUIT, UNIVERSAL MATE-N-LOK™ II	
ANGLES ±		APPD 1-16-92 M. TRULL		
MATERIAL NYLON, UL94V-0,		PRODUCT SPEC	SIZE D 00779 DRAWING NO 770050	
FINISH		APPLICATION SPEC		
WEIGHT		SCALE 5:1	SHEET 1 OF 1	

CUSTOMER DRAWING